



# Installation Instructions

**ELEKTROMAT**

**SE 14.21-25,40**

Model: 10002204 10012

**-en-**

Status: 27.04.2016



GfA ELEKTROMATEN GmbH & Co. KG  
Wiesenstraße 81  
D-40549 Düsseldorf  
🌐 [www.gfa-elektromaten.de](http://www.gfa-elektromaten.de)  
✉ [info@gfa-elektromaten.de](mailto:info@gfa-elektromaten.de)

## Table of contents

1	General safety information .....	4
2	Technical Data .....	5
3	Mechanical installation .....	6
4	Electrical installation .....	10
5	Limit switch adjustment .....	11
6	Motor connection .....	12
7	Alternative motor connection .....	12
8	Limit switch connection .....	13
9	Emergency manual operation SK (rapid hand chain operator) .....	14
10	Completing commissioning / inspection .....	15
11	Declaration of incorporation / conformance .....	16

### Symbols



**Warning** - Potential injury or danger to life!



**Warning** - Danger to life from electric current!



**Note** - Important information!



**Requirement** - Required action!

Schematic representations are based on product examples. Deviations from delivered products are possible.



---

## 1 General safety information

### Specified normal use

The drive unit is intended for sectional doors with full counter-balancing.

The safe operation is only guaranteed with normal specified use. The drive unit is to be protected from rain, moisture and aggressive ambient conditions. No liability for damage caused by other applications or non-observance of the information in the manual.

Modifications are only permitted with the agreement of the manufacturer. Otherwise the Manufacturer's Declaration shall be rendered null and void.

### Safety information

Installation and initial operation tasks are to be performed by trained, skilled fitters only.

Only trained electrical craftsmen are permitted to work on electrical equipment. They must assess the tasks assigned to them, recognise potential danger zones and be able to take appropriate safety measures.

The installation is only to be carried out with the supply off.

Observe the applicable regulations and standards.

### Coverings and safety devices

Do not operate unless corresponding coverings and safety devices are fitted/installed.

Ensure that gaskets are correctly positioned and cable glands are correctly tightened.

### Spare parts

Use only original spare parts.

## 2 Technical Data

Type	SG 50	
Output torque	140	Nm
Output speed	21	rpm
Output shaft / hollow shaft	25,40	mm
Maximum output speed open / close for frequency inverter operation	36 / 30	rpm
Maximum holding torque	600	Nm
Maximum door weight	6000	N
Supply voltage	3N~ 400	V
Operating current	2,60	A
Operating frequency	50	Hz
Power factor $\cos \varphi$	0,52	
Maximum movement per hour	16	h <sup>-1</sup>
Class of protection	IP 65	
Limit switch range (maximum revolutions of output shaft / hollow shaft)	20	
Temperature range	-10 / +40 (+60)	°C

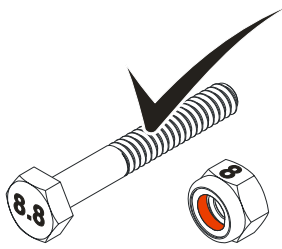
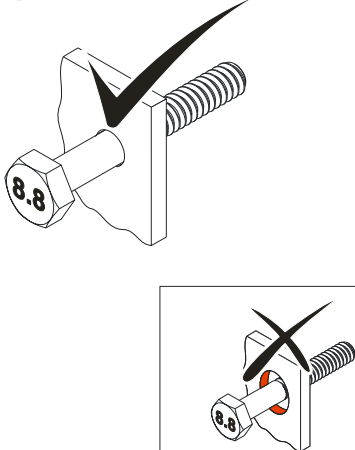
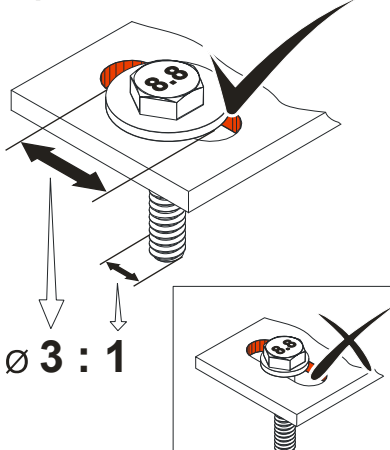
When using a temperature range of +40°...+60°C use half of maximum movements per hour.

### 3 Mechanical installation

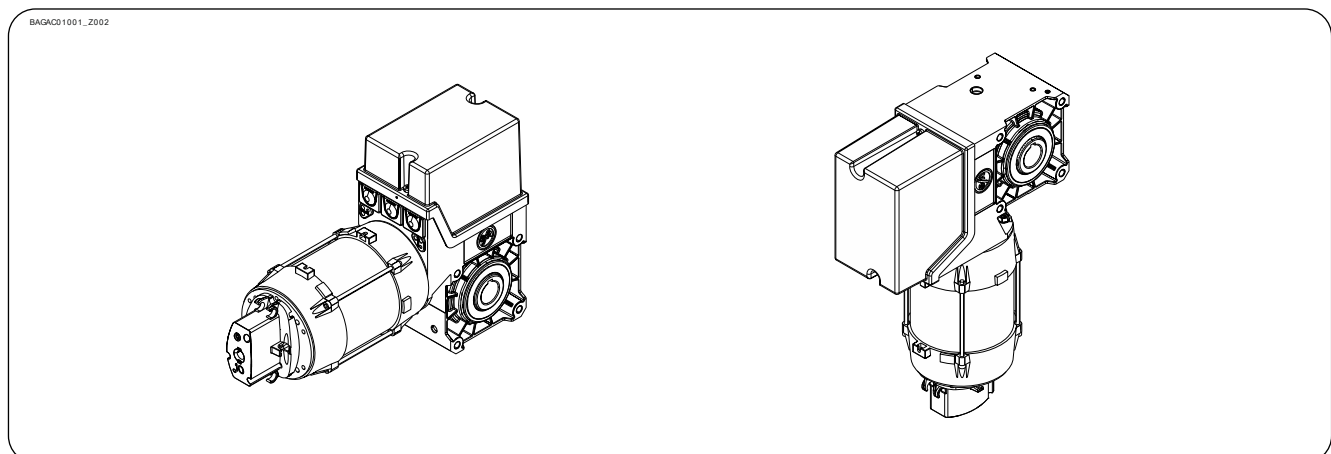
#### Prerequisites

The permissible loads on walls, fastenings, mountings and transmission elements must not be exceeded, even for maximum holding torques or locking torques (► refer to technical data).

#### Connection elements:

<ul style="list-style-type: none"> <li>► Self-locking connection elements with a minimum strength of 800 N/mm<sup>2</sup> (8.8) must be used.</li> </ul>	<ul style="list-style-type: none"> <li>► Utilize the hole diameter to the full.</li> </ul>	<ul style="list-style-type: none"> <li>► Use adequately dimensioned washers for elongated holes.</li> </ul>
<p>BAGAB00001_2002</p>  <p><b>≥ 800 N/mm<sup>2</sup></b></p>	<p>BAGAB00002_2002</p> 	<p>BAGAB00003_2002</p>  <p><b>Ø 3 : 1</b></p>

#### Permissible mounting positions



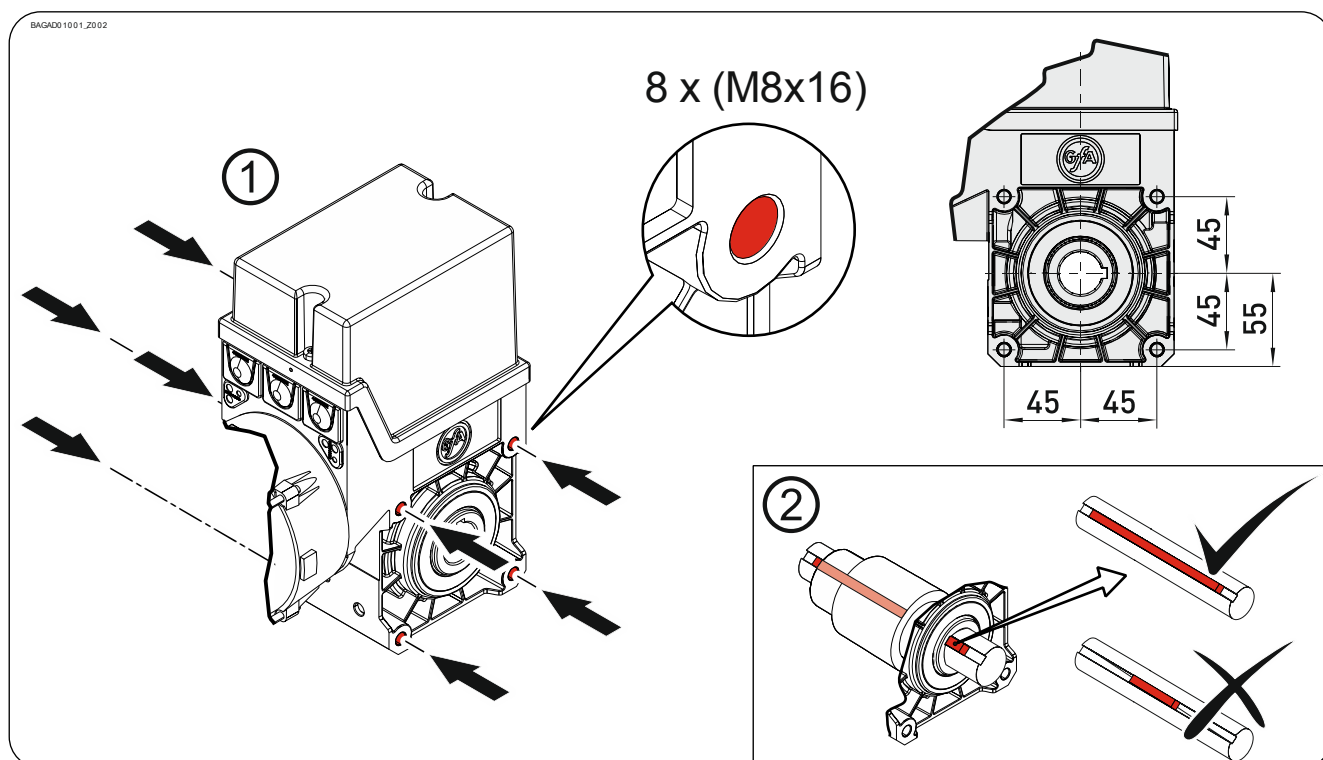
## Mounting

Eight threads are provided for mounting.

- ▶ Use at least 2 of these (①).

Keys are used to connect to the door shaft.

- ▶ Use a key that is at least as long as the hollow shaft (②).



## Installation

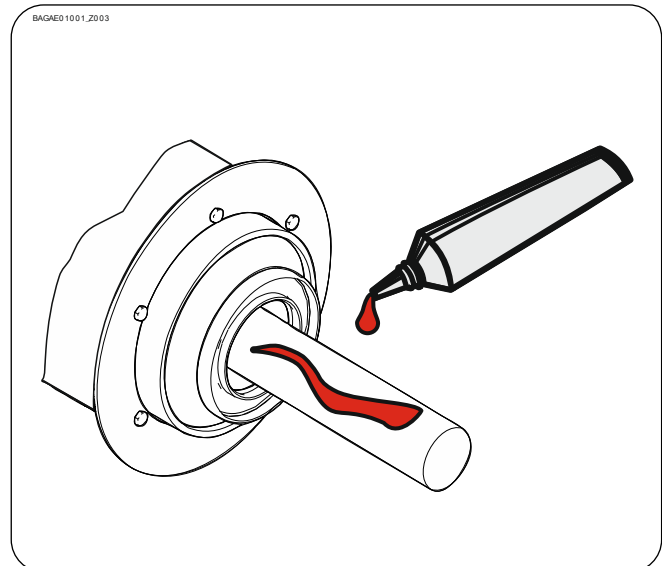
The descriptions below apply to general door specifications. The specifications of the door manufacturer must also be observed during installation.



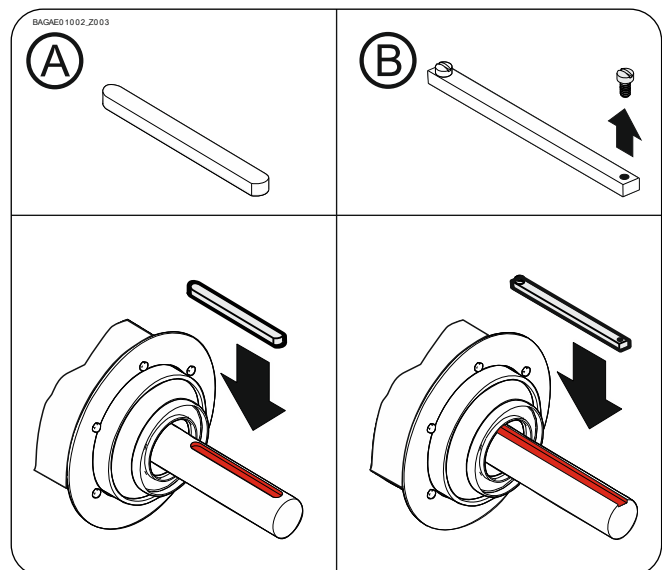
Warning - Potential injury or danger to life!

- During installation, be sure to use a lifting device that has a sufficient load-carrying capacity.

- ▶ Thoroughly grease the door shaft.

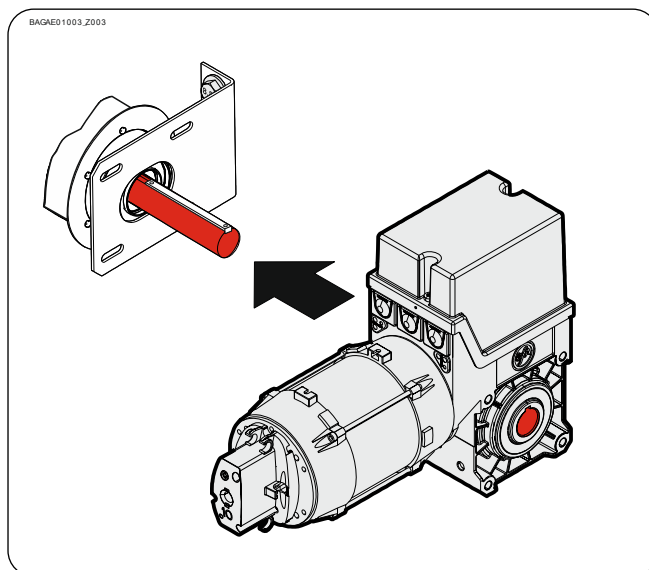


- ▶ Mount the keys. Observe possible variants  
Ⓐ or Ⓑ.

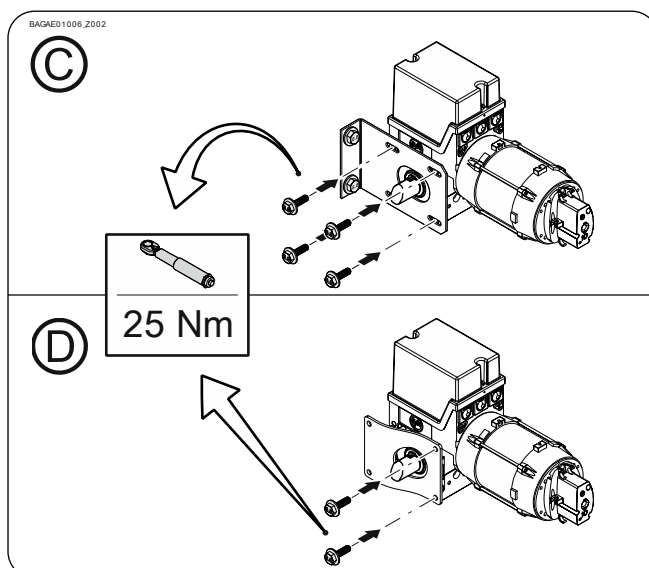




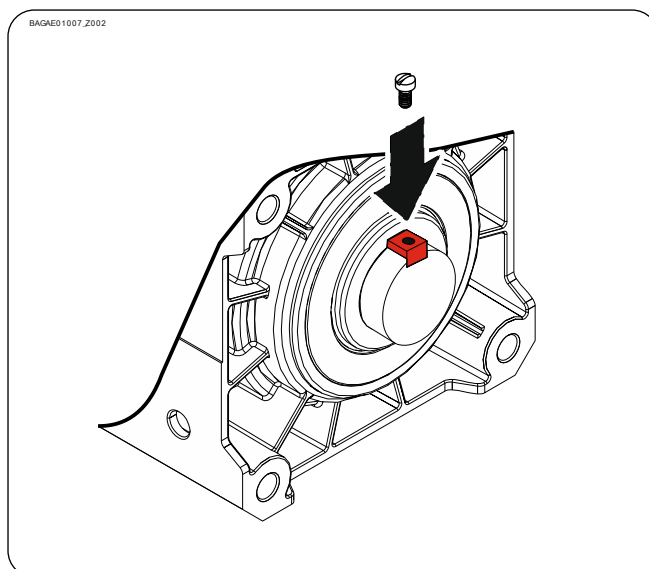
- ▶ Attach the drive unit.



- ▶ Tighten all connection elements (M8) to 25 Nm. Install all other connection elements according to the specifications of the door manufacturer.



- ▶ Secure the keys (version ② only).



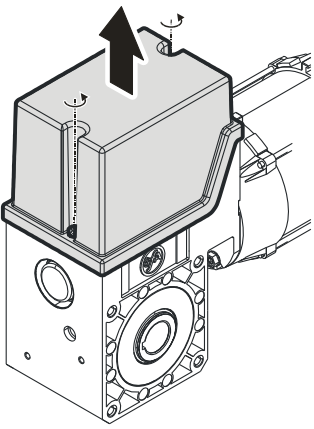
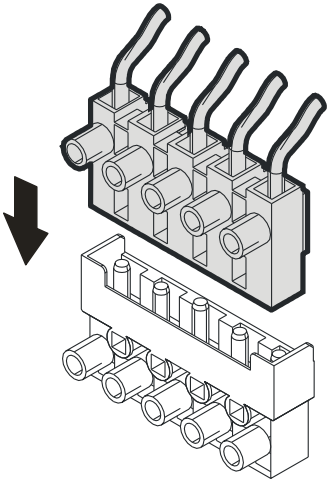
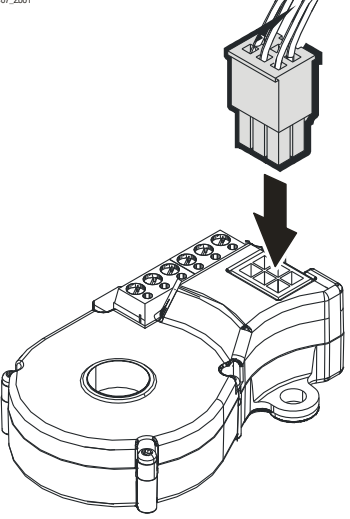
## 4 Electrical installation



**Warning - Danger to life from electric current!**

- Switch the mains OFF and check that the cables are de-energised
- Observe the applicable regulations and standards
- Make a proper electrical connection
- Use suitable tools

### Performing electrical installation

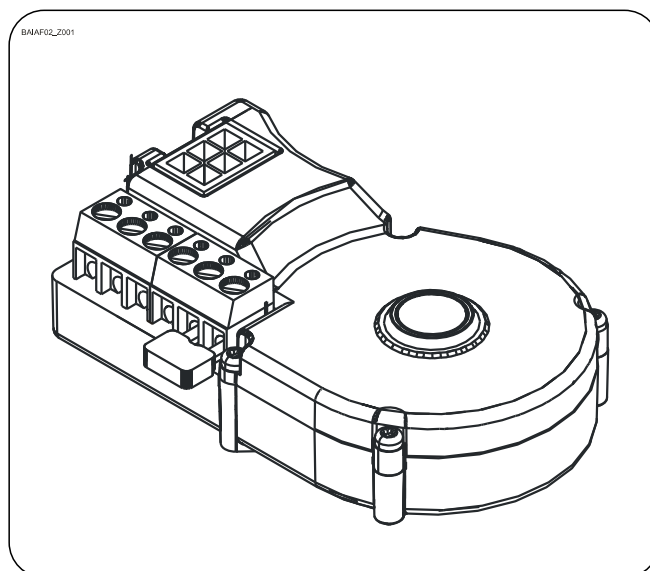
Remove the cover.	Insert the motor plug.	Insert the limit switch plug.
<p>BAHA01_2001</p> 	<p>BAH801_2001</p> 	<p>BAHAC07_2001</p> 

### Completing the electrical installation

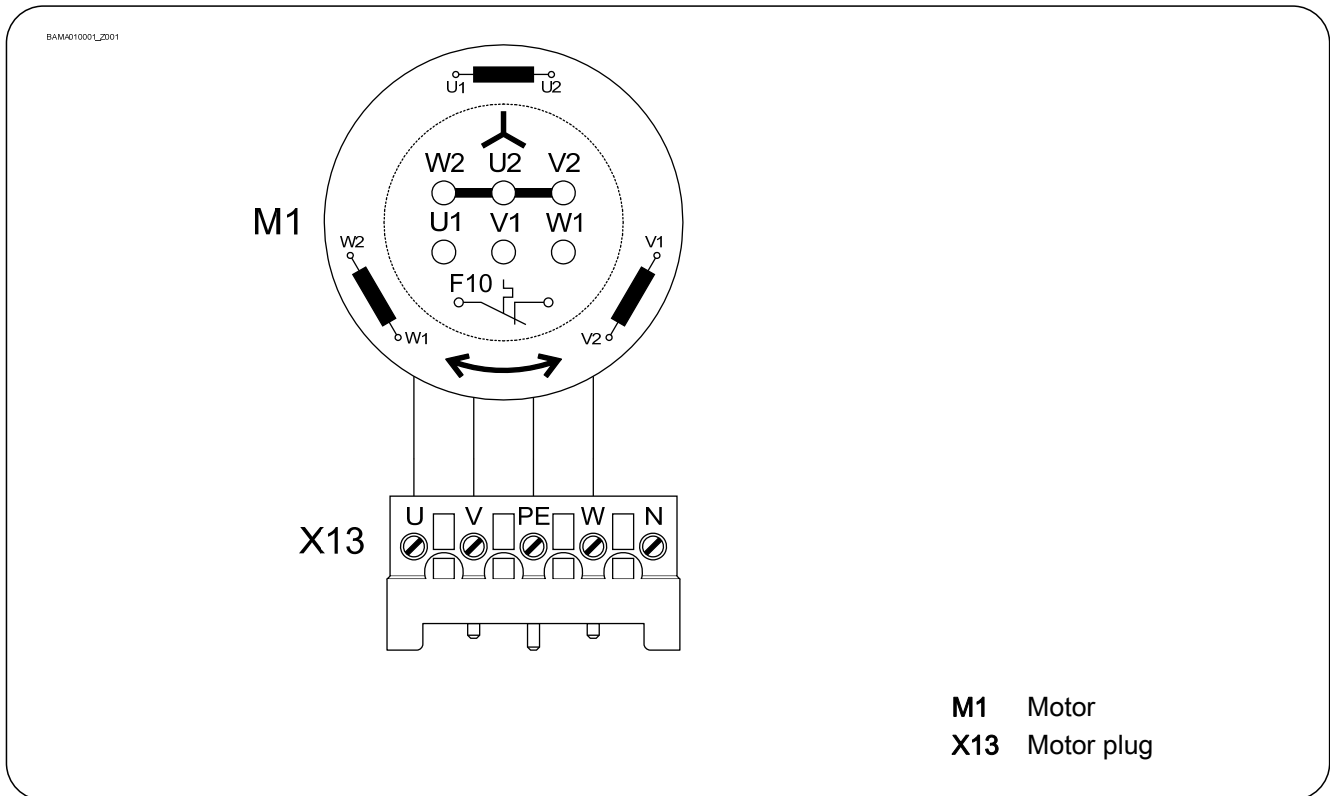
Mount the cable entries and/or cable glands.

## 5 Limit switch adjustment

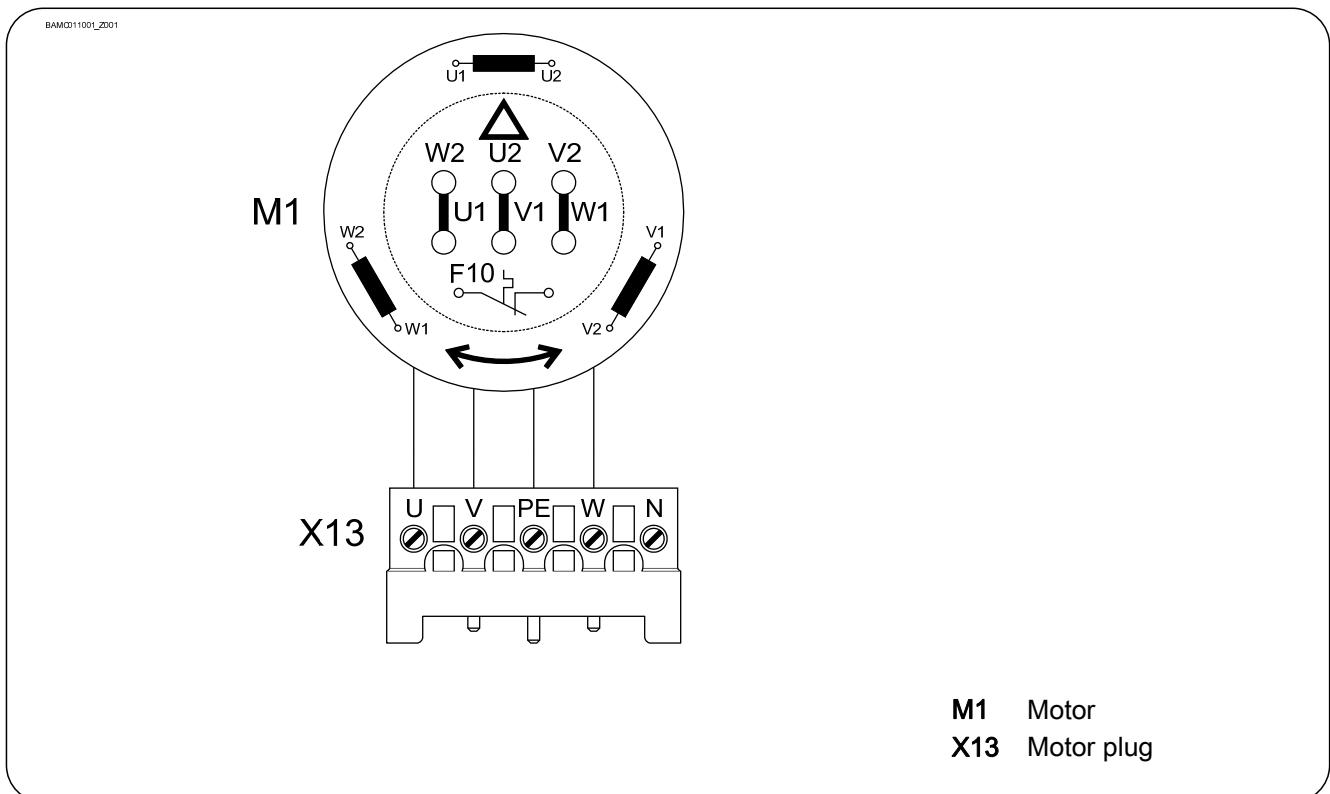
The adjustment of the final limit positions OPEN and CLOSE is described in the instructions for the door control panel.



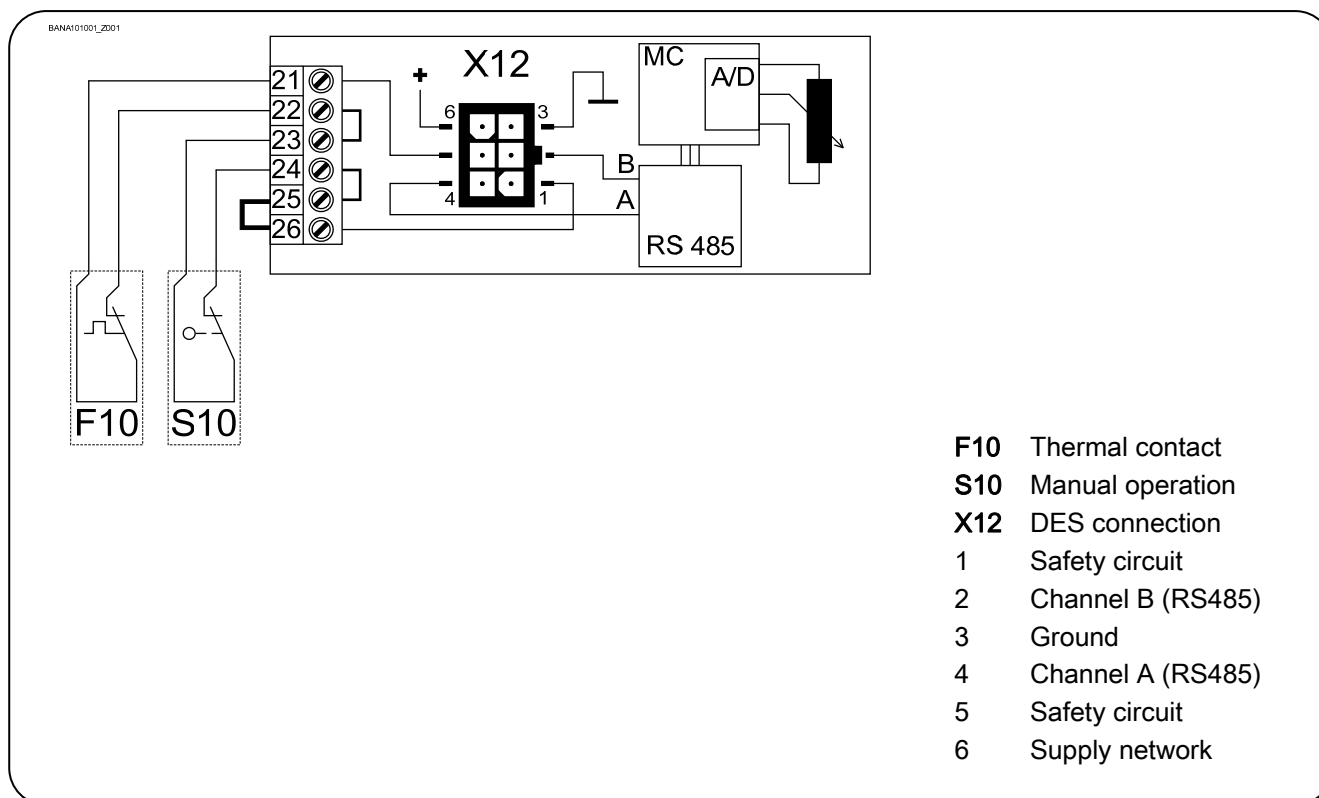
## 6 Motor connection



## 7 Alternative motor connection



## 8 Limit switch connection



## 9 Emergency manual operation SK (rapid hand chain operator)

The emergency manual operation is provided as a means of opening or closing doors that do not have electric power supply. Operation interrupts the control voltage. Electrical operation is no longer possible.



### Warning - Injury through improper operation!

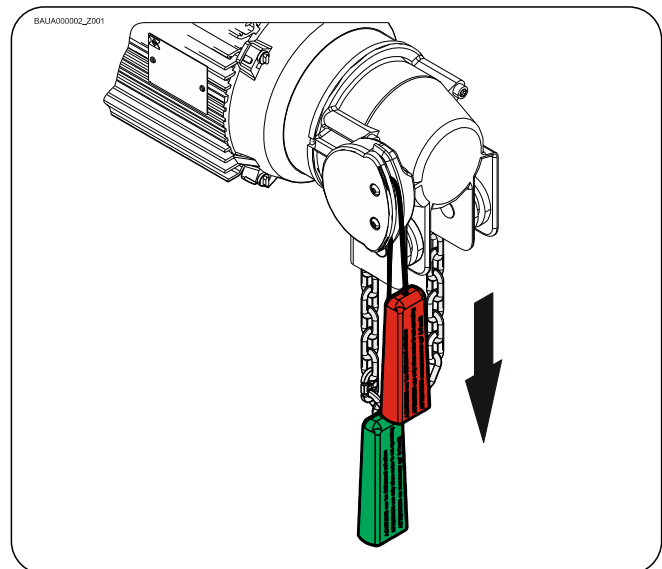
- Disconnect the voltage
- Adopt a secure position
- For drives that have a brake, emergency manual operation should be carried out with the brakes on



### Caution - Component damage can result!

- Do not move the door beyond the final limit positions.

Pull the red grip to activate. Pull the chain to open or close. Pull the green grip to deactivate.



## 10 Completing commissioning / inspection

Check the following components and then install all covers.

### **Gearbox**

Check the drive unit for loss of oil (a few drops can be neglected). Protect the output-shaft permanently against corrosion.

### **Mounting**

Check that all connection elements (consoles, torque mounts, screws, locking rings, etc.) are secure and in proper condition.

### **Electrical wiring**

Check the connection cables and cabling for damage or crushing. Check that the screw connections and plug connections are fitted properly with a good electric contact.

### **Emergency manual operation**

Check the function with the power disconnected. Perform the check only between the final limit positions.

### **Limit switch**

Check the final limit positions by opening and closing fully. The safety area must not be approached.

### **Drive unit**



#### **Note!**

- Engage a qualified engineer to check the drive unit annually
- Apply shorter inspection intervals for doors that are operated frequently
- Observe the applicable regulations and standards

# Declaration of incorporation

in the terms of Machinery Directive 2006/42/EC  
for partly completed machinery, Appendix II Part B



# Declaration of conformity

in terms of EMC Directive 2014/30/EU

GfA ELEKTROMATEN GmbH & Co. KG  
Wiesenstraße 81 · 40549 Düsseldorf  
Germany

We, the  
**GfA ELEKTROMATEN GmbH & Co. KG**  
hereby declare that the following products are conform with the above  
EC Guideline and are only intended for installation in door equipment.

## SE 14.21-25,40

Standards applied

<b>DIN EN 12453</b>	Doors - safety in use of power operated doors
<b>DIN EN 12604</b>	Doors - Mechanical aspect
<b>DIN EN 60335-1</b>	Safety of household and similar electrical appliances Purposes - Part 1 : General requirements
<b>DIN EN 61000-6-2</b>	Electromagnetic compatibility (EMC) Part 6-2 Generic standard – Immunity standard for industrial environments
<b>DIN EN 61000-6-3</b>	Electromagnetic compatibility (EMC) Part 6-3 Generic standard – Emission standard for residential, commercial and light-industrial environments

We undertake to transmit in response to a reasoned request by the appropriate regulatory  
authorities the special documents on the partly completed machinery.

### Authorised representative for the compilation of the relevant technical documents

(internal EU address)  
Dipl.-Ing. Bernd Synowsky  
Documentation representative

Incomplete machines within the meaning of the EC Directive 2006/42/EC shall only be intended to  
be integrated into other machines (or into other incomplete machines/systems) or to be assembled  
with them to form a complete machine within the sense of the Directive. Therefore, this product  
cannot be commissioned before it is determined that the entire machine/system to which it was  
integrated shall comply with the provisions of the Machinery Directive indicated above.

Düsseldorf, 24.11.2015

**Stephan Kleine**  
CEO



Signature